

Kaiser. Performance counts.



BasicLine

High pressure water jetting truck – Model JET SJ10
Sewer and sludge vacuum cleaner – Model SX10

**JETTING, SUCTION AND
COMBINED VEHICLES**

BasicLine

Technical specifications – Model JET SJ10

> Jetting superstructure

Tank with 10000 litres geometrical capacity, tank filled by hydrant or gravity

> Tank material

Carbon steel with glass cup type level indicator

> Water pump

Triplex plunger high-pressure pump Pratissoli KF 32, capacity 120 litres/min at max. 180 bar, pressure regulation valve pneumatically operated

> Water filter

Special anti-sand filter with stainless steel cartridge

> Hose reels and controls

¾" hydraulic hose reel mounted on the back of the tank, 180° slewable, pneumatic stop button to stop at different positions, hydraulic rotation re-coil flow regulation to optimize winding/unwinding, equipped with 80 m ¾" high-pressure hose, control panel incl. emergency switch, chassis engine accelerator, pneumatic stop of the hose reel, water pressure regulator, opening/closing of the exclusion valve, flow regulator for winding/unwinding, pressure gauge, control lever

> Hose boxes

Open top lateral hose boxes made of carbon steel

> Chassis

IVECO Trakker AD 190T38H, short cabin, wheelbase 3800 mm, gross vehicle weight 19 tons

> Transmission

Gearbox PTO (800 Nm min.) original IVECO

> Accessories

EDC or PSM device for the remote throttle control at all rpm

> Optional

High pressure water pump Pratissoli MW45, capacity 267 litres/min at max. 155 bar

Rear hydraulic hose reel equipped with 120 m 1" high pressure hose

Technical specifications - Model SX10

> Vacuum superstructure

Tank with 10000 litres geometrical capacity

> Tank material

Carbon steel with glass cup type level indicator

> Vacuum pump

KAISER Moro van pump PM 80 Air with a max. air flow of 606 m³/h and a manual 4 way valve for vacuum/pressure inversion

> Valves

2 x 4" manually operated gate valves

> Controls

Rear mounted control device, electric throttle control vacuum meter and cabin controls, general switch vacuum pump engagement

> Hose boxes and additional features

Open top lateral hose boxes made of carbon steel, moisture trap, safety filter with washable cartridge, oil separating silencer, steel intake hose

> Chassis

IVECO Trakker AD190T38H, short cabin, wheelbase 4200 mm, gross vehicle weight 18 tons

> Transmission

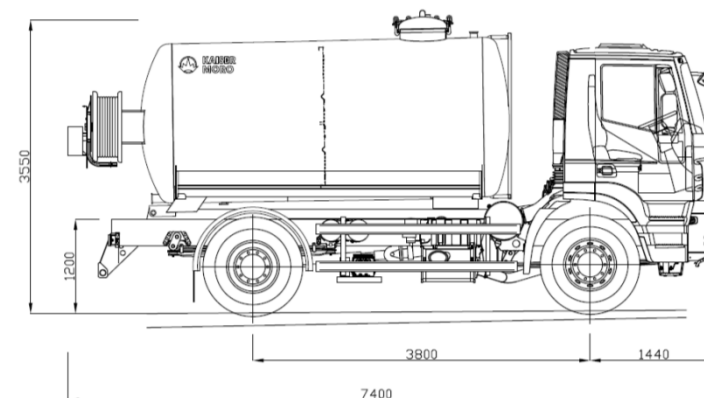
Gearbox PTO (800 Nm min.) original IVECO

> Accessories

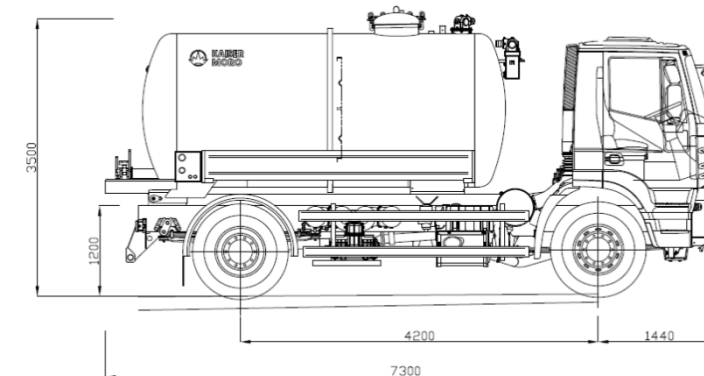
EDC or PSM device for the remote throttle control at all rpm

> Optional

Hydraulic full opening rear door by means of 2 hydraulic double-action cylinders and manual locks, tilttable tank



High pressure water jetting truck – Model JET SJ10



Sewer and sludge vacuum cleaner – Model SX10